



ICA[®]

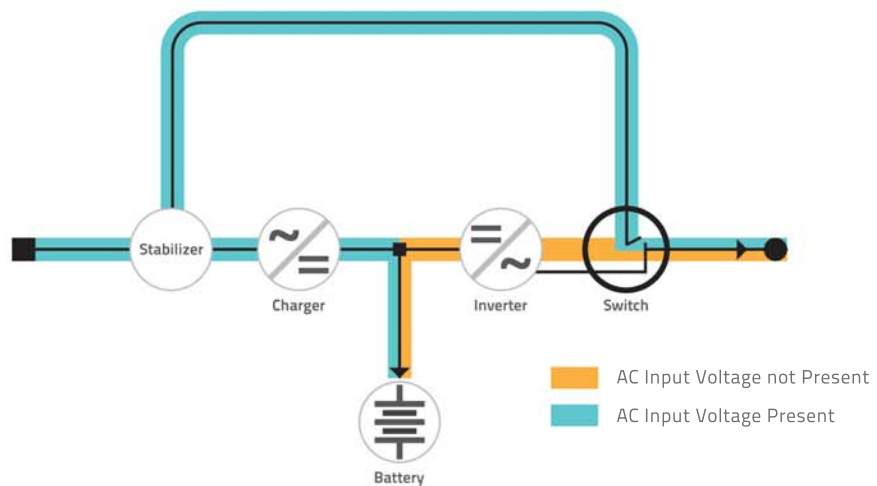
The Best *Solution* for Power System



Uninterruptible Power Supply



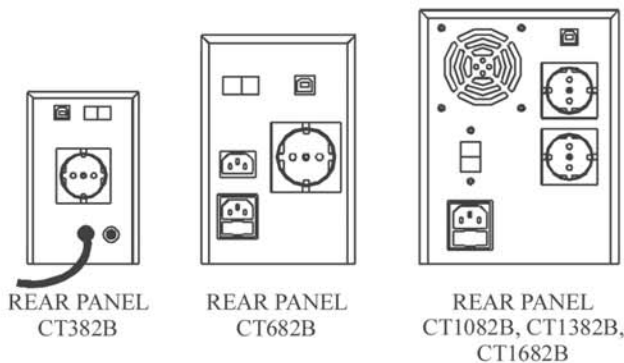
- EMI / RFI Filter
- Build In Stabilizer
- Audible And Visual Indicator
- Build In SLA Battery
- Level Battery Indicator
- Computer Interface USB Port
- Compact Design
- Modem Protector
- Compact Size And Lightweight
- Easy To Use
- High Efficiency
- High Reliability



Protect your computers and sensitive equipment from any electrical disturbance.

ITEM		UNITS	SPECIFICATION					REMARKS
			MODEL	CT 382B	CT 682B	CT 1082B	CT 1382B	
CAPACITY		VA/W	600/300	1200/600	2000/1000	2600/1300	3200/1600	MAXIMUM
AC INPUT	VOLTAGE	V	160 - 250					
	CURRENT	A	1.6	2.9	4.8	6.2	7.7	MAX. LOAD & CHARGER
	FREQUENCY	Hz	50 ± 3					
	PROTECTION	A	3,15	6,3	10	10	10	FUSE
DC INPUT	INTERNAL BATTERY		1 x 12V, 7 AH	2 x 12V, 7 AH	3 x 12V, 7 AH	4 x 12V, 7 AH	5 x 12V, 7 AH	SEALED LEAD ACID BATTERY
	PROTECTION	A	30	50	50	50	50	
INVERTER OUTPUT	WAVE FORM		SYNTHESIZED SINEWAVE (STEP WAVE)					PWM
	VOLTAGE	V	220 ± 5%					
	FREQUENCY	Hz	50					
	EFFICIENCY	%	> 80					
C H G	TYPE		CONSTANT VOLTAGE					
	VOLTAGE	V	13.5	27.0	40.5	54.0	67.5	
	CURRENT	A	1.5					
TRANSFER TIME		ms	≤ 4					
BACK UP TIME		min	10					NOMINAL LOAD
INDICATOR			LED & BUZZER					REFER TO CONDITION TABLE
OPERATION TEMPERATURE		°C	0 - 40					
DIMENSION		mm	340 x 95 x 145	390 x 145 x 195	430 x 175 x 230	445 x 175 x 230		D x W x H
WEIGHT		Kg	6	14	20.3	23.5	28	NETTO
			7	15	22	25	30	GROSS

SPECIFICATIONS ARE SUBJECT TO CHANGE WITHOUT PRIOR NOTICE



Contact Person



481-4120010-111